

# ANGLER'S TOTE

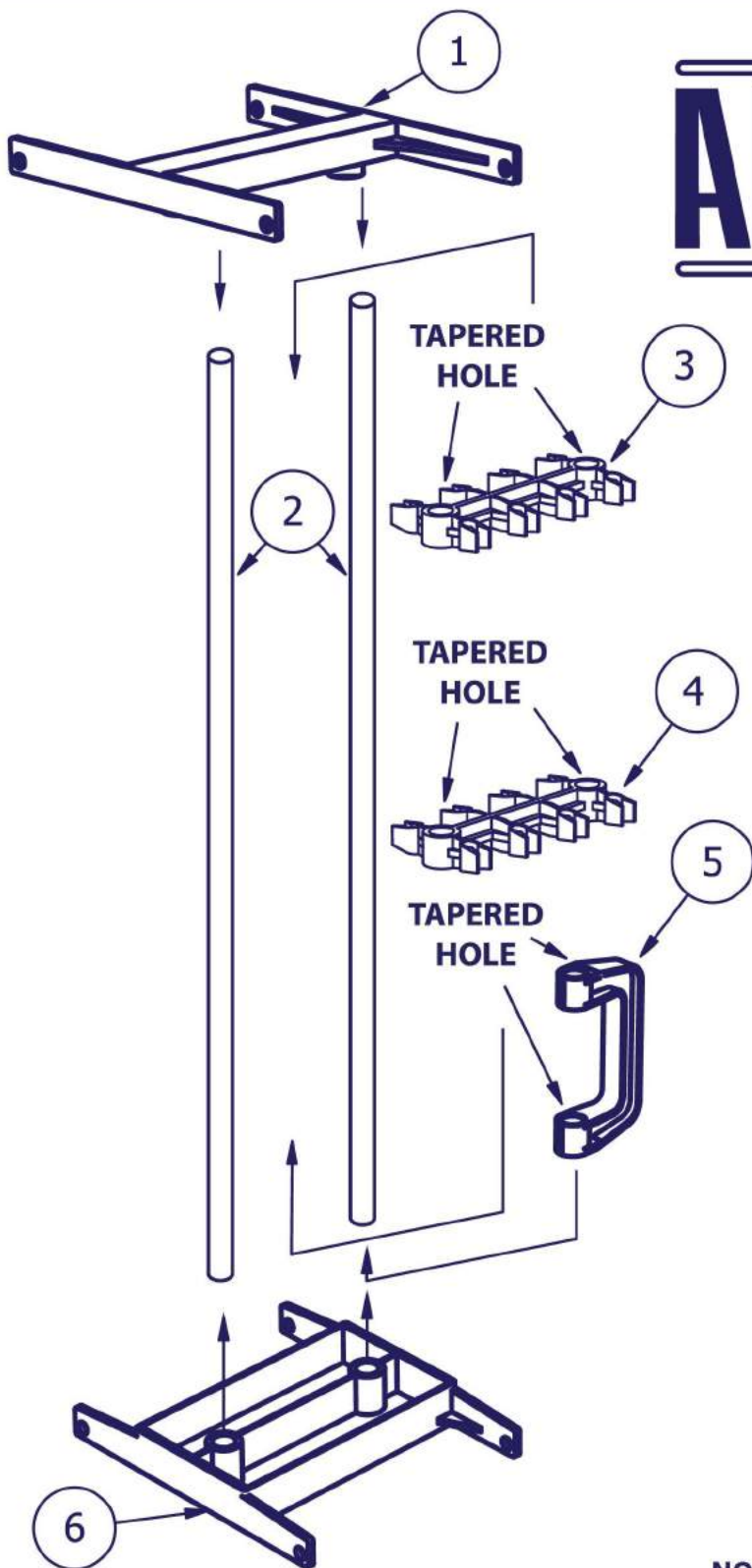
STORE • ORGANIZE • CARRY

**Suggested Retail Price \$34.95**



**Angler's Tote** is the **MD Outdoor Specialties** model designed for use with light-tackle rods and reels. It is a practical, affordable, and convenient device for storing and carrying up to eight rods/reels complete with terminal tackle. It uses upper and lower plastic clips to separate the rods and hold them in place. The system is sturdy and compact. The polyethylene clips and handle can be adjusted up or down on the frame, affording perfect control and balance. Fully rigged-out rods and reels are kept tangle-free when transported. The snap-in clips allow you to quickly load and unload the rods. The flat base permits upright storage. When fully assembled, **Angler's Tote** occupies a space 9 inches wide, 11 inches deep, and 48 inches long. Weight is less than two pounds.

# ANGLER'S TOTE



## PARTS LIST

- |                                   |                                   |
|-----------------------------------|-----------------------------------|
| 1. TOP                            | 4. LOWER BRACKET<br>(LARGE CLIPS) |
| 2. 2 ALUMINUM TUBES               | 5. HANDLE                         |
| 3. UPPER BRACKET<br>(SMALL CLIPS) | 6. BASE                           |

## ASSEMBLY INSTRUCTIONS

- A. SOAK PARTS 3, 4, & 5 IN STEAMING HOT WATER FOR 4-5 MINUTES BEFORE SLIDING ONTO TUBES. THIS MAKES THEM SLIDE ONTO TUBES EASIER.
- B. INSERT ENDS OF TUBES (2) INTO BASE (6).
- C. SLIDE PART (5) INTO POSITION ON TUBES (2). (HOLES ARE TAPERED)
- D. SLIDE PART (4) INTO POSITION ON TUBES (2). (HOLES ARE TAPERED)
- E. SLIDE PART (3) INTO POSITION ON TUBES (2). (HOLES ARE TAPERED)
- F. INSERT ENDS OF TUBES (2) INTO TOP (1).
- G. TAP ON TOP (1) WITH Mallet OR BLOCK OF WOOD TO SEAT TUBES (2) INTO TOP (1).
- H. TURN TOTE UPSIDE DOWN AND CONTINUE TAPPING ON BASE (6) UNTIL TUBES (2) ARE FULLY SEATED.

NOTE: HOLES ARE TAPERED TO EASILY RECEIVE TUBING.

