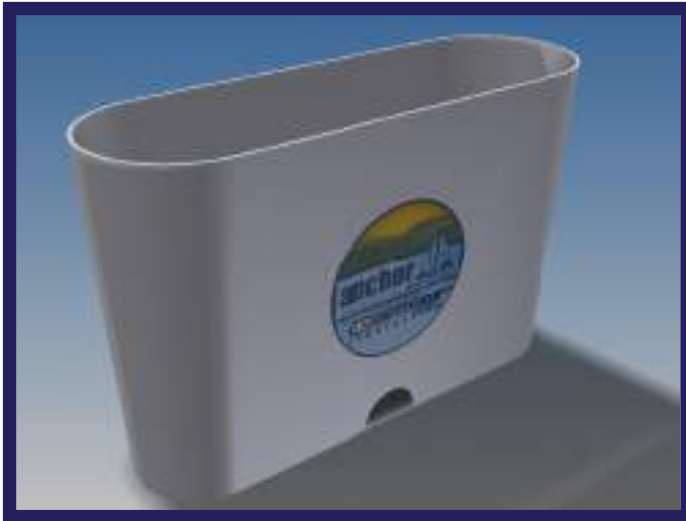




The Problem

Anchors often cause problems on small boats. Effective anchor designs use sharp points, hooks, and spikes but these anchors are carried flat on the boat's deck where they can be reached quickly. Many anchors require a short chain that connects to the anchor rope. This assembly creates a "trip-and-fall" hazard that boaters must step over and around. Anchors designed without a protective vinyl coating will damage the boat deck by repeated contact. Anchor compartments, when present on a boat, are often too small to load and unload quickly or quietly. Anchor retrieval sometimes brings mud and grass into the boat. All of these problems are well known to boaters. As a result of these various problems, the situation shown in the photo is a common scene.



The Solution

AnchorUP is a slender polyethylene container that holds the anchor in a stable, upright position. It accommodates anchors rated for boats up to 36 feet long, and it has a small footprint—requiring less than half of the deck space normally required by a complete anchor-chain-rope assembly. Because both ends are rounded, the boater can walk safely on deck even when barefoot. Anchors load and unload quickly. Debris—such as mud and grass pulled up on the anchor—stays in the container.

- Quiet anchor removal - doesn't spook fish
- Deck footprint 6" X 24"
- Two 3/8" diameter floor mounting holes.
- High Density Polyethylene (HDPE) material.
- UV- and color-stabilized for long life.
- Large drain hole for easy clean-out.
- Black or white available.
- Weight 7 pounds

Suggested Retail Price \$34.95

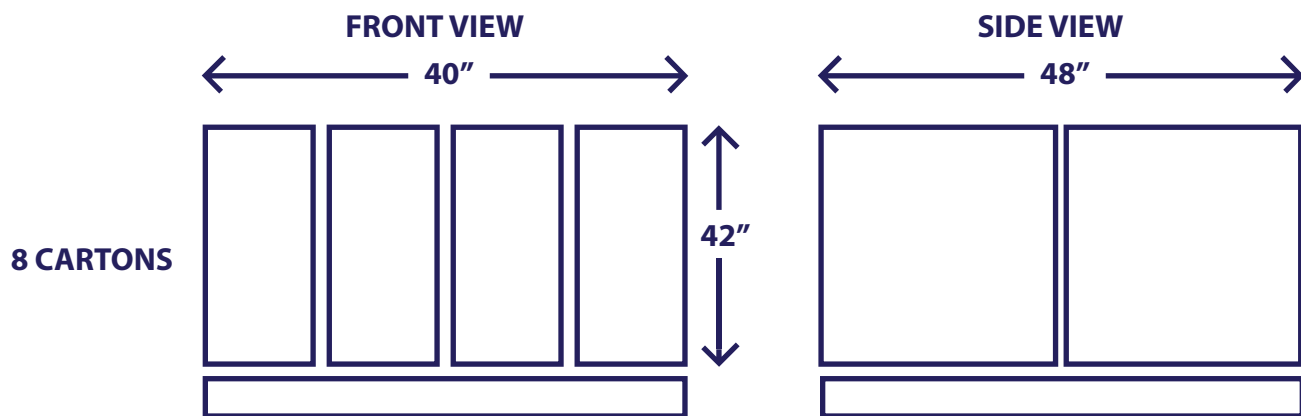
Suggested Catalog Text

Make **AnchorUP** the new anchor compartment for your boat! Carry fluke, slip-ring, and many other anchor styles in less than half the deck space you now use. Anchors and rope load and unload quickly. Quiet anchor removal does not spook fish. The small foot print permits ideal positioning on your deck. Made with UV stabilized polyethylene for long life on the water. Rounded ends guarantee easy walk-around. Installs quickly. Cleanout is fast via the large drainhole. Accommodates anchors for up to 36 foot boats. Available in black or white. Weighs 7 pounds.

SPECIFICATIONS

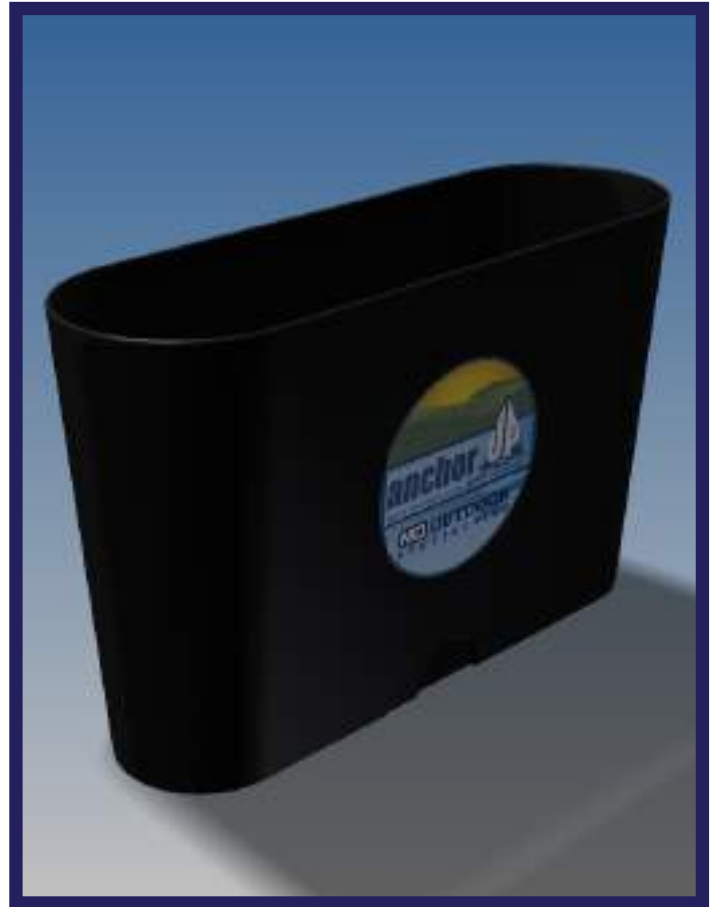
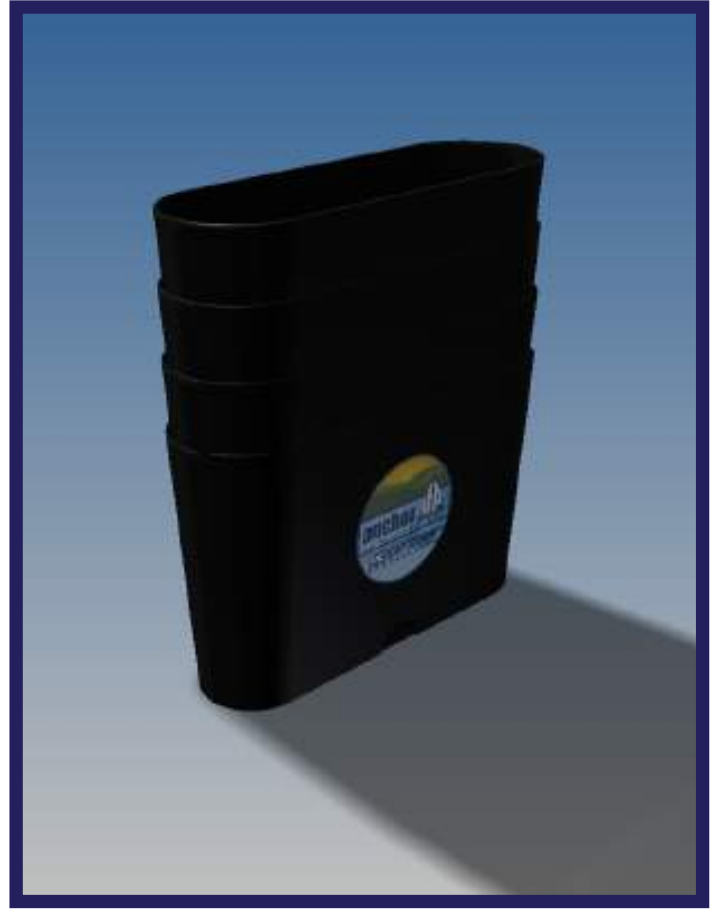
ITEM	ANCHOR UP (EACH)	ANCHOR UP (CARTON)
CONTENTS	1	6
SIZE	6" X 24" X 16"	9" X 27" X 38"
WEIGHT (ACTUAL)	7 LBS	44 LBS
CARTON	NONE	RSC 275 [#] SINGLE WALL

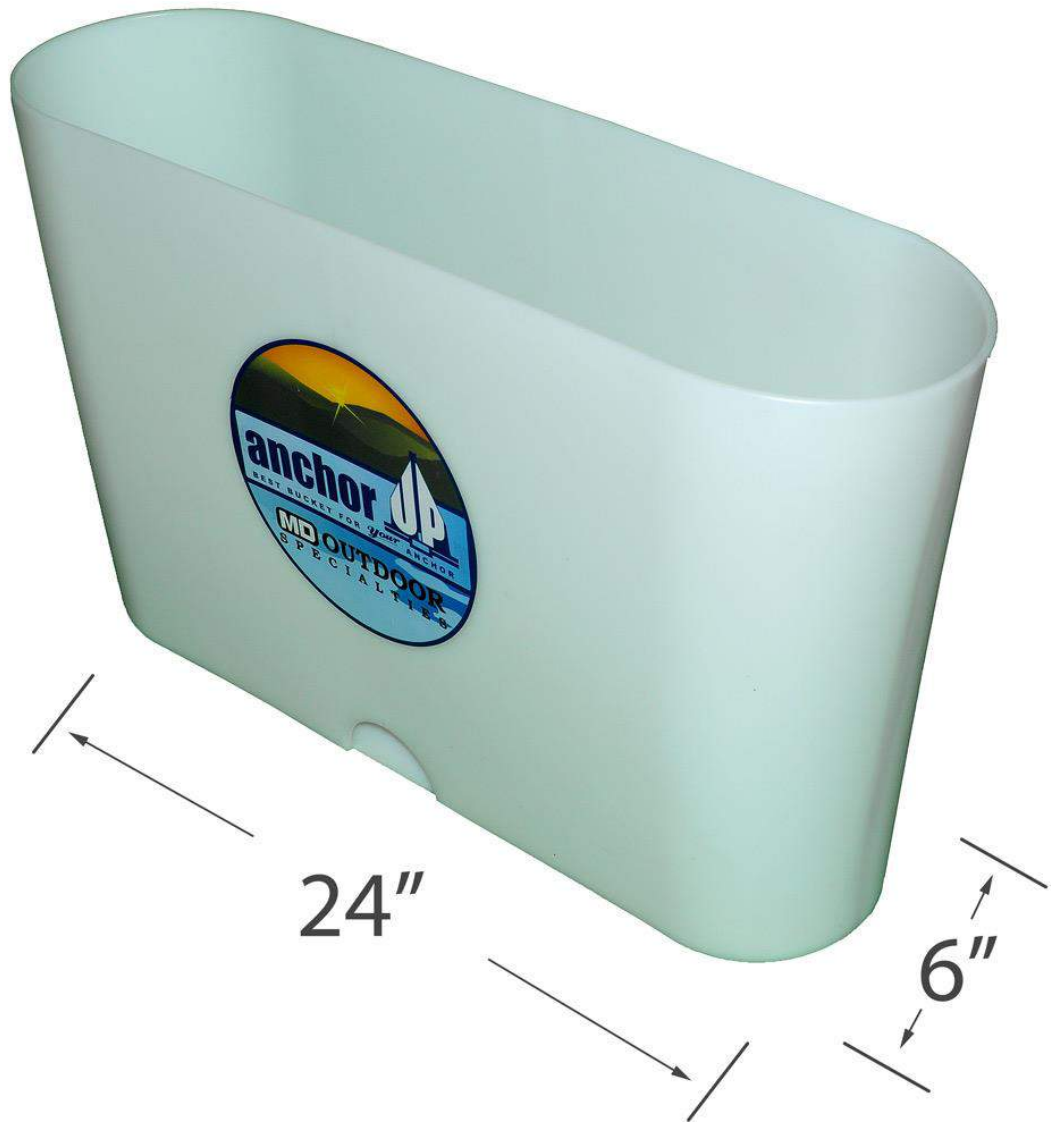
PALLET LOADING



GENERAL INFORMATION

WARRANTY	- NO DEFECTS IN MATERIAL OR WORKMANSHIP
RETURN POLICY	- FREE REPLACEMENT
EDI CAPABLE	- YES
OPEN ACCOUNTS	- ON APPROVED CREDIT
BILLING TERMS	- NET 30 DAYS





24"

6"









